

Wireless Telemetry Printer

Introduction



- Thermal printer with 57mm (2.244") paper width
- Up to 32 characters per line
- High speed Printing (30mm/sec)
- Capable of printing data from up to 8 acquisition modules or a T24-HA advanced handheld module.
- 120metre (400 feet) range maximum
- Text and formatting stored within module
- Full error detection and correction
- Simple configuration via PC using a base station with Telemetry Toolkit software



Introduction

The T24-PR1 is a telemetry enabled printer that is capable of printing and summing values from up to 8 acquisition modules. Designed with a wide input voltage range 9-36V this printer module is suitable for in vehicle applications as well as more static applications. Can be supplied with a mains power supply for desktop use.

The printer can be triggered using either software control or a T24-HA hand held device. The PC based toolkit allows users to enter up to 8 acquisition module data sources, with an option to sum all 8 components, as well as add text and format the output design.

NOTE: Requires either T24-BSu or T24-BSi for configuration.

Case details

Light grey flame retardant ABS

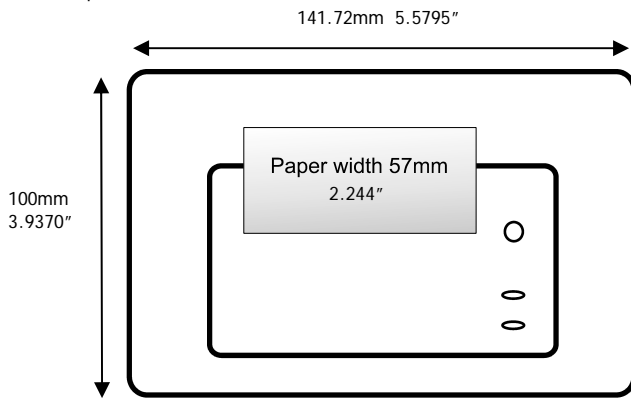
Associated T24 Products

T24-ACM	Wireless Radio Telemetry Acquisition Enclosure	T24-HR	Wireless Radio Telemetry Handheld Display Unlimited Inputs
T24-ACMi	Wireless Radio Telemetry Acquisition Enclosure	T24-HS	Wireless Radio Telemetry Handheld Display Single Inputs
T24-ANTA	Wireless Radio Telemetry Antenna	T24-IA	Wireless Radio Telemetry Current (4-20mA) Acquisition Module
T24-ANTB	Wireless Radio Telemetry Antenna	T24-PR1	Wireless Radio Telemetry Printer
T24-ANTC	Wireless Radio Telemetry Antenna	T24-RM1	Wireless Radio Telemetry Data to Relay output
T24-AO1	Wireless Radio Telemetry Desktop Analogue Output Module	T24-SA	Wireless Radio Telemetry Strain Gauge /Load Cell Acquisition Module
T24-AO1i	Wireless Radio Telemetry Industrial Analogue Output Module	T24-SAf	Wireless Radio Telemetry 2KHz Strain Gauge Acquisition Module
T24-BC1	Battery Charger for T24 Acquisition Modules	T24-SO	Wireless Radio Telemetry Printer and Display Driver
T24-BSi	Wireless Radio Telemetry Industrial Base Station	T24-TK	Wireless Radio Telemetry Toolkit Software
T24-BSu	Wireless Radio Telemetry Base Station USB	T24-VA	Wireless Radio Telemetry Voltage (0-10V) Acquisition Module
T24-DPV	Wireless Radio Telemetry T24 Data Provider Viewer and Logger		
T24-HA	Wireless Radio Telemetry Handheld Display Multiple Inputs		

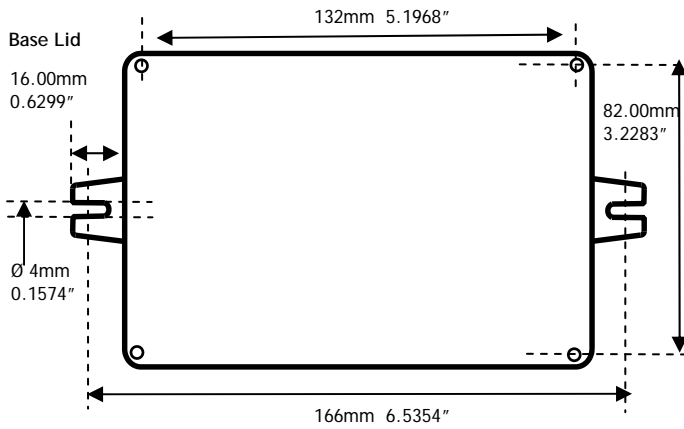
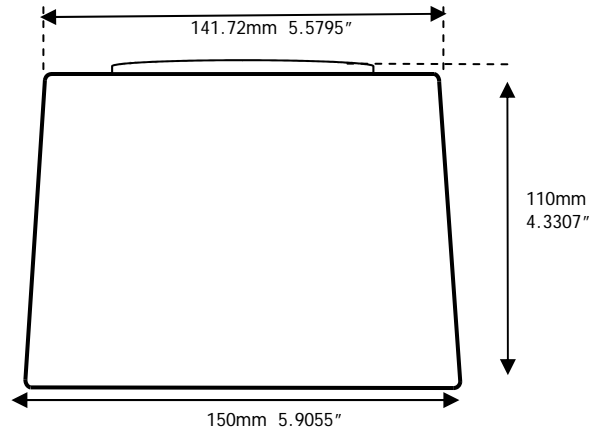
For more up to date information visit our website www.mantracourt.co.uk/products/wireless-telemetry

Mechanical Dimensions

View from Top



View from Side



Approvals

CE, Complies with EMC directive. 2004/108/EC
The Radio Equipment and Telecommunications Terminal Equipment (R&TTE) Directive, 1999/5/EC.



Industry
Canada

Industrie
Canada



Designed, Manufactured
& Supported in the UK

In the interests of continued product development, Mantracourt Electronics Limited reserves the right to alter product specifications without prior notice.