



T24-PR1 Printer

User Manual
www.mantracourt.co.uk

ME mantracourt

Wireless Telemetry Range 2.4Ghz

Introduction / Overview	2
Communications Overview	2
Configuration Overview.....	2
Getting Started	3
Connecting Power.....	3
Configuration	3
Installation	3
T24 Toolkit.....	3
T24-BSu Base Station	3
T24 Toolkit	4
General Pages	4
Setup Base Station Communications.....	4
Home.....	5
Analyser	6
Information	7
Channel and Encryption	8
Save and Restore	9
Input Settings	10
Output Settings.....	12
Output Scaling.....	14
Output Design.....	15
Zero Settings.....	17
Zero Settings Advanced	18
Configuration Examples	19
Print Gross Sum of 2 Devices to Printer	19
Customer Ticket from Handheld Device.....	19
Printer Operation and Maintenance	21
Paper Roll Fitting and Replacement	21
Buttons and Indicators	21
Specifications	22
General Radio	22
T24-PR1	22
Printer.....	22
Mechanical Dimensions	23
Installation	24
Overview.....	24
Approvals	25
CE.....	25
FCC	25
Industry Canada.....	26
OEM / Reseller Marking and Documentation Requirements	26
FCC	26
IC.....	26
CE.....	26
Declaration of Conformity	28
Worldwide Regional Approvals	29
Important Note.....	29
Warranty	29

Introduction / Overview

The T24-PR1 is a thermal printer module that can print a 57mm wide ticket which can include data from up to 8 devices and optionally sum them. The printout can be triggered from the arrival of data from a specific device or alternatively by a handheld device which can also optionally supply the data value to print.

NOTE: Print triggering from an external button/switch option will be made available on future releases of the T24-PR1.

The actual printed output can be designed by the user using multiple lines which can include free text or tokens which can represent real data. i.e. <V1> would be decoded as the value from input 1 when the print is triggered or <TV> would reference the Trigger Value from an external handheld for example.

Communications Overview

The T24 range of telemetry devices each have a factory set unique **ID**. Data is shared between devices using **Data Provider** messages. A device generates these messages which can then be used by many other devices simultaneously. These messages (or packets) of information contain a single value of data and each is identified by a **Data Tag**. The **Data Tag** should be unique for each message.

ID **Identifies each device**
Each device has a unique **ID** that is factory set. This is represented as a 6 character hexadecimal number consisting of the digits 0 to 9 and the letters A to F.
I.e. **FFD3BE**

Data Tag **Identifies each Data Provider message**
A **Data Tag** consists of a 4 character hexadecimal number consisting of the digits 0 to 9 and the letters A to F. The **Data Tag** can be changed by the user but the factory default is to match the last 4 characters of the device **ID**.
I.e. An acquisition device of **ID FFC12B** would have a default **Data Tag** of **C12B**.

When a device consumes data (i.e. a handheld displaying data from an acquisition device) all it is doing is listening to all of the **Data Provider** messages and selecting the one it wants to use. It then extracts the data and displays it.

Some devices that use **Data Provider** messages also need to know the **ID** of the device providing the data. This is necessary if that device needs to specifically wake the data providing device as opposed to using a broadcast wake that will wake all devices on the same channel and using the same encryption key.

Pairing offers an automated method of hooking a provider and consumer of data together. However, some devices may require you to manually enter **Data Tag** and **ID** information so it would be beneficial to the user to understand the above mechanism.

Configuration Overview

Once it has been determined how many devices are feeding data to this device you need to record the **Data Tag** that each of these devices are attaching to their **Data Provider** packets. These **Data Tags** are then entered into the **ValueDataTagx** parameters. Once the rate at which this data arrives is known you can enter the **Timeoutx** values. Leave unused **ValueDataTagx** parameters with a value of zero to ensure that they are not checked for timeouts and do not contribute to gross or net sums.

When a data provider packet arrives whose **Data Tag** matches one of those in the **ValueDataTagx** parameters the value it contains will be placed in the **Valuex** parameter.

If data does not arrive from a device within the **Timeoutx** period then any reference to either the individual **Vx** tokens or one of the summing tokens will result in ----- rather than a numeric value.

The actual serial output can now be constructed using **Line1** to **Line25** (In the toolkit these are hidden and the user simply creates the ticket on screen). These parameters take text into which you can insert tokens. When a

'Print' is generated these lines are parsed and tokens replaced with the values they represent and the resulting data sent to the serial port.

A 'Print' is generated by either issuing a DoPrint command, activating the switch input when **SwitchMode** is set to zero or by receiving a Data Provider packet whose Data Tag matches the **PrintDataTag** parameter. When a 'Print' is executed each of the parameters Line1 to Line 25 will be parsed. Every token will be evaluated and replaced with the live value.

Getting Started

To get the T24-PR1 to print live data we need an external device. This can be one or more acquisition devices or a handheld device which is already paired with an acquisition device.

To attach acquisition devices to the T24-PR1 we must first ensure that the appropriate devices are transmitting their values at a suitable rate such as the default of 3 per second. Then we can configure the module to use the data from these devices.

Configuration must be done with the T24 Toolkit software and a base station.

Connecting Power

You will need to connect a power supply to the T24-PR1 for it to operate and to enable configuration using a base station and the appropriate toolkit software.

Power is supplied via a 2.5mm DC plug which plugs into, and locks with, a 2.5mm socket on the side of the module. Voltage range is 9 to 36 Volts dc and requires approximately a one Ampere (1A) capable supply.

The tip of the connector is positive.



Configuration

This section explains how to install software and connect the required devices together. Please note that you will need the T24 Toolkit software and a T24-BS base station to allow your computer to communicate with T24 telemetry devices.

Installation

T24 Toolkit

To configure the devices we must use the **T24 Toolkit** software application. This can be downloaded from our web site or may be shipped with your products.

Install this on a PC or laptop.

Run **setup.exe** and follow the prompts to install the software.

T24-BSu Base Station

If you have a USB version of the base station (T24-BSu) then you just need to plug this into a USB socket on your PC. If you are using an alternative base station then please refer to the appropriate manual.

T24 Toolkit

The T24 Toolkit provides a means of simple configuration of the T24-PR1 and associated acquisition module along with useful tools to aid integration. Calibration of the acquisition modules is also provided.

Run the T24 Toolkit software application.

General Pages

Setup Base Station Communications

Settings

Select the connection type between the base station and the

Interface
USB Select the interface between the computer and the base station.

Port
1 Select the COM port that the base station is connected to.

Baudrate
115200 Select the baudrate that matches the settings of the base station DIP switch.

Base Station Address Each base station has an address.
1 If you connect using USB the address must be 1.

- A T24-BSu has a fixed address of 1.
- A T24-BSi has a settable address via DIP switches so ensure these are set to 1 if using the USB interface.

Help
Configure the settings on this page to match the connected Base Station.

- First you need to determine whether the connection to your PC is Serial or USB.
- If it is Serial then you also need to know which serial port (COM port) it is connected to and the Baudrate of the Base Station.
- Next you need to know the Base Station Address. This can be set between 1 and 16 and should not be confused with the ID.
- When correctly setup click the HOME button to test communications and to continue.

Connected to Base Station of ID FFC5DB on channel 1 App: 1.0.82 | Drv COM: 1.1 | Drv DLL: 2.0

Select **USB** as the interface and select 1 as the Base Station Address.

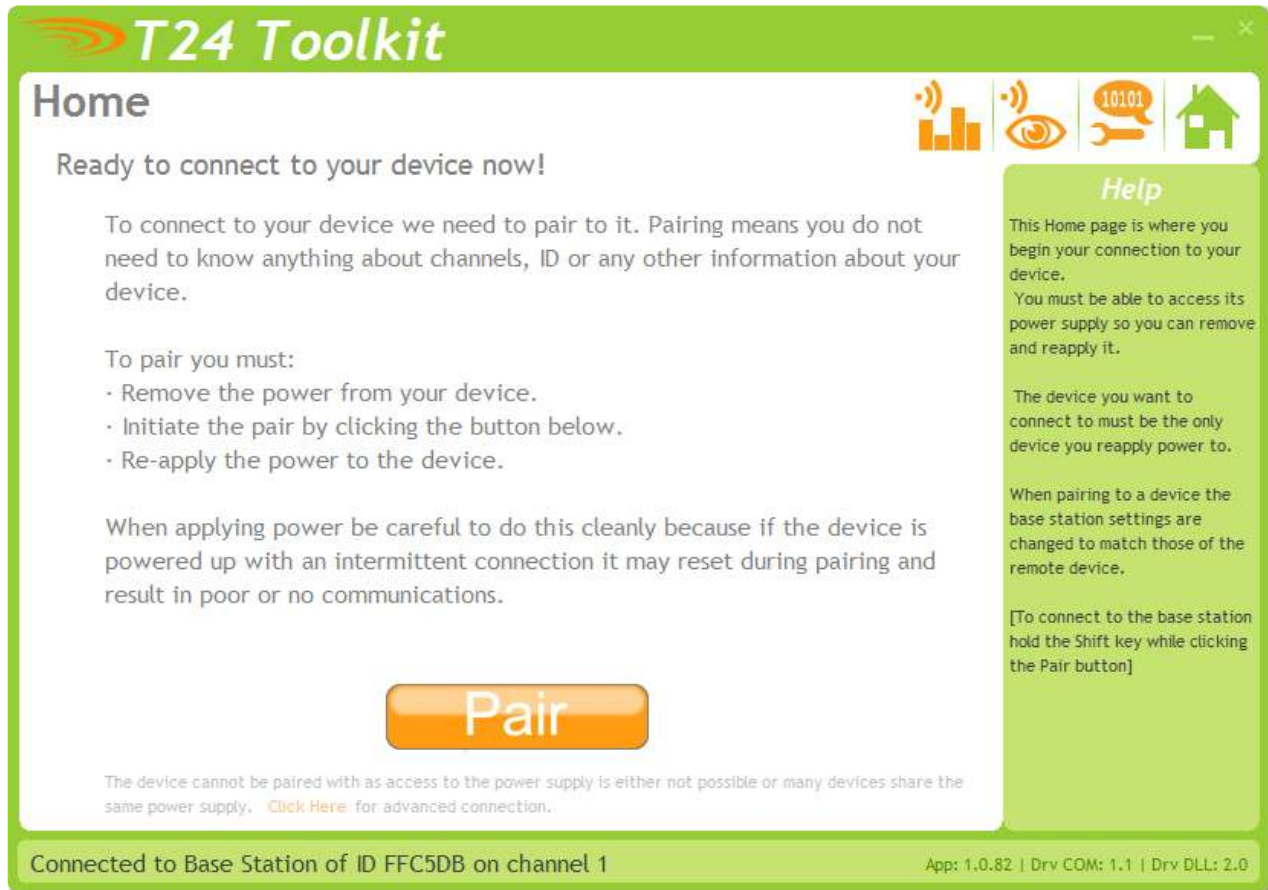
In the toolkit all items that can be changed by the user are coloured orange.

To change a value just click on the relevant orange item. You will then be presented with a new dialog window allowing you to change the value.

This may use a slider, text box or list to allow your new value to be entered.

Click the Home button to attempt communications with the base station.

If no communications can be established the toolkit will remain on this page. You will need to check that the base station is powered and that it is connected to the converter correctly.



We now have successful communications with the base station so we can now pair with our device or we can select the Spectrum Analyser mode or Data Provider Monitor mode.

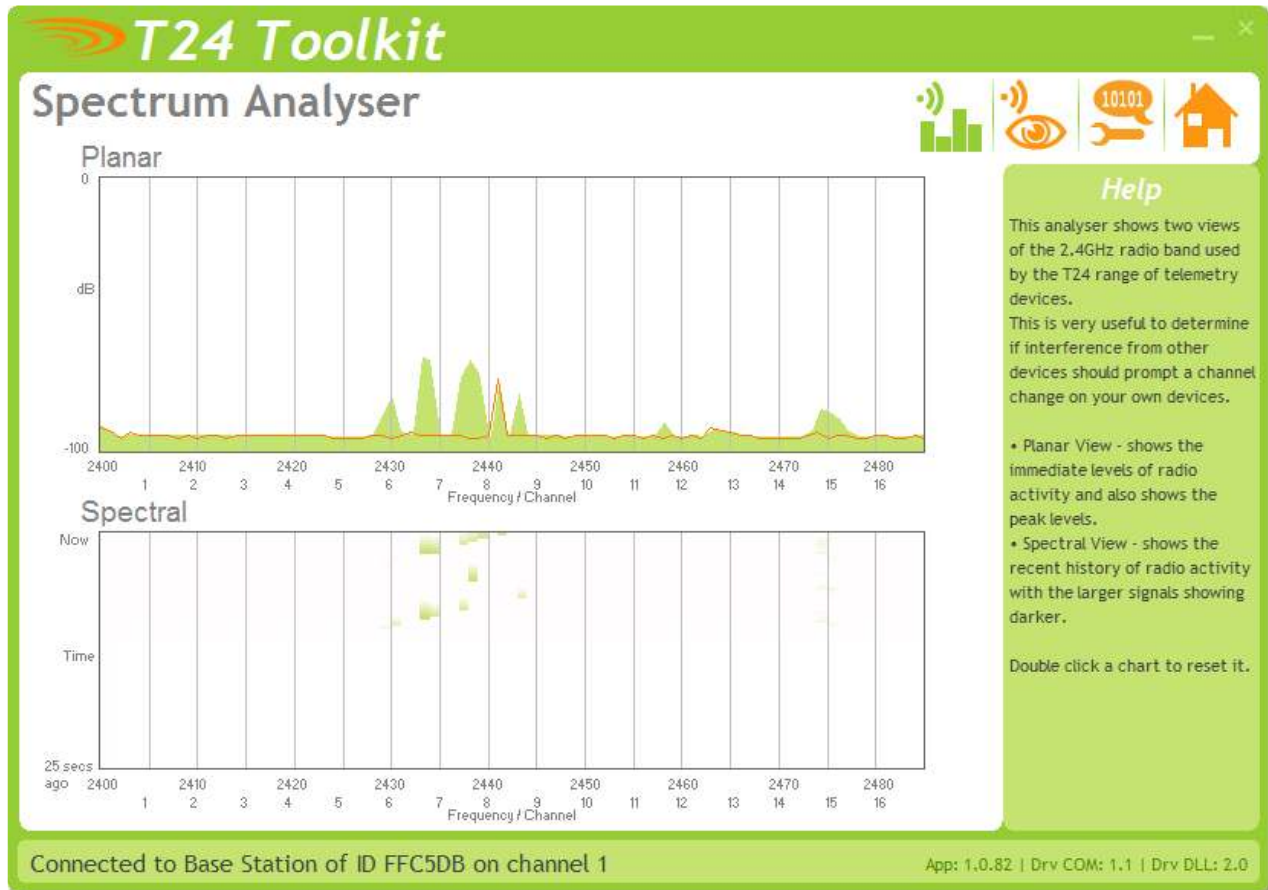
Pairing Procedure

- Remove power from the T24-PR1 module.
- Click the Pair button on the toolkit.
- You now have 10 seconds to re-apply power to the T24-PR module.

If you connect successfully the toolkit will change to the Information page.
If the pairing fails try again.

NOTE: The act of Pairing with the toolkit will **not** change the radio configuration settings of the connected device. The settings will only change if you change them yourself within the toolkit.

Analyser



The analyser page is provided as a tool and will not normally be needed unless you plan to change channels and want to find the best channel to select, or to diagnose poor communications issues.

This page shows the radio signal levels detected across all the channels available to the T24 series of devices. Using this tool may help in detecting noisy areas and allow you to decide on which channels you may want to use.

The above charts show the traffic from a Wi-Fi network and it can be seen to be operating over channels 6 to 9 and it would be best (though not essential) to avoid using these channels.

Information

T24 Toolkit

Information

0 12345 [Icons: Signal, Gear, Lock, Home]

Printer Module

ID: **FFC688**
Model: **T24-PR1**
Firmware Version: **1.04**
Radio Module Firmware Version: **1.7**
Name: [Redacted]

Help

Here you can view information about the device. You can also allocate a descriptive name to aid future identification.

Pressing F1 or double-clicking the module image will display the T24-PR1 manual if it can be located.

Connected to T24-PR1 of ID FFC688 on channel 1 App: 1.0.82 | Drv COM: 1.1 | Drv DLL: 2.0

This page shows you information about the connected device.

Items you can change:

Name You can enter a short descriptive name (11 characters) which may help you recognise this device in the future.

Save and Restore



Here you can save the device settings to a file on your PC so that they can be later loaded back into the same or different device.

Items you can change:

Save

Click this button to open a file dialog window to allow you to select a filename and location to save the configuration file to. All configuration information including calibration data will be saved to the file. The file extension is tcf.

Restore

Click this button to open a file dialog window to allow you to select a filename and location of a previously saved file to load into the connected device. All configuration information **including** calibration data will be overwritten. The file extension is tcf.

Advanced Settings

Click this button to enter the Advanced Settings Page. Here are settings which do not normally require changing.

Input Settings

Switch Mode
0-Print Here you can define the action that is triggered by the physical switch input.

Output Trigger Data Tag
0000 Enter the Data Tag that will trigger an output when it arrives.

Remote Data Tags and Timeouts
 Here is where you need to identify the remote acquisition devices that you wish to communicate with. Click the X button to remove an item or the P button to pair to an actual device. Alternatively just type in the required information. Specify the formatting when this input is represented in the output.

	Data Tag		Timeout	Format		Data Tag		Timeout	Format
1	0000	P X	2000	000.000	5	0000	P X	2000	000.000
2	0000	P X	2000	000.000	6	0000	P X	2000	000.000
3	0000	P X	2000	000.000	7	0000	P X	2000	000.000
4	0000	P X	2000	000.000	8	0000	P X	2000	000.000
Sum									000000.0

Connected to T24-PR1 of ID FFC688 on channel 1 App: 1.0.82 | Drv COM: 1.1 | Drv DLL: 2.0

Here you can set the action to take when the switch contacts are closed, set the Data Tag that will trigger an output and also set the Data Tags of the data used as the inputs along with how the data is formatted.

Items you can change:

Switch Mode

NOTE: The external button/switch option will be made available on future releases of the T24-PR1

Click to select either:

Print - Triggers an output from the serial port. Note that **Min Interval** setting on the Output Settings page may stop this from working at the rate the contact closes.

Gross/Zero - Toggles the measurement mode between gross and net. When switching to net the net value is zeroed (tared). This will affect the value of the <N> token which is the net value of all summed inputs.

Output Trigger Data Tag

Enter the Data Tag which, on arrival, will trigger an output (I.e print). Note that **Min Interval** setting on the Output Settings page may stop this from working at the rate at which the data arrives.

This is usually set to the Data Tag of one of the inputs.

Example: If the output was being sent to a serial display the same Data Tag would be assigned to input 1 and the output trigger so that each time data arrived the output would be sent to the serial display.

Remote data Tags and Timeouts

Data Tag

Enter the Data Tag (in hexadecimal) to supply data to this input.

NOTE: You can click the P button to retrieve the Data Tag of a device by

pairing to it which is usually initiated by power cycling the module.

Clicking the X button zeroes the entered Data Tag.

Timeout

Enter the timeout in milliseconds for this input. If a new Data Provider packet does not arrive within this time and reference to this input value (via token <V1> for example) will result in an output of -----. This also applies to a gross or net reading derived from this input.

Format

Describe the format that this value is to take when output. You specify integer digits and decimal places by entering a format consisting of zeroes and decimal points. i.e. 00.000

NOTE: The integer value of data takes precedent over your defined format so if you defined a format of 0.0 and data of value 100.8765 arrived it would be represented as 100.8

Examples

Format	Value	Representation
0.0	1.2	1.2
0.0	100.8	100.8
00.000	6.1234	06.123
00.000	123.4567	123.456
0000.00	12.0	0012.00

Resolution

It is possible to set the resolution (the smallest unit of change) of the output results by including the numeric value in the format. i.e. 00.005 would only represent the value in steps of 00.005

Output Settings

T24 Toolkit
Output Settings

Duplicate
 No
Select whether to print twice for every print (output) triggered.

Min Interval

Time in milliseconds that must be allowed between prints. Print triggers faster than this will be ignored.

Gross Text

Text to replace the <GN> token when in gross mode.

Net Text

Text to replace the <GN> token when in net mode.

Print On Error
 No
Select whether an output will be triggered as any input device fails to supply data within the timeout period. Useful if a device is supplying data to a serial display and is triggered from the arrival of that data.

Log Number

Enter the current log number. Each time a print (output) is triggered this number will increment.

Yes Non Volatile

Log Digits

Number of digits to display when the <LOG> token is replaced. i.e. 3 digits will allow log number to count to 999 then reset to zero.

Line Delay Char

Define the character that will trigger the end of line delay. Enter in hexadecimal.

Line Delay

Delay in milliseconds to wait after each 'line' is sent to the serial output. Useful for limiting the data being sent to a printer.

Help
Configure the serial output and associated output settings.

Connected to T24-PR1 of ID FFC688 on channel 1 App: 1.0.82 | Drv COM: 1.1 | Drv DLL: 2.0

Here you can change various settings that influence the output from the module.

Items you can change:

- | | |
|----------------|---------------------------------------------------------------------------------------------------------------------------------------------------------------------------------------------------------------------------------------------------------------------------------------------------------------------------------------------------------------------------------------------------------------------------------------------------------------------------------------------------------------------------------------------------------------------------------------------|
| Duplicate | Whether to produce the same output twice each time an output is triggered. Useful, for example, with a printed output where a customer requires a receipt. |
| Min Interval | Minimum time allowed between triggered outputs entered in milliseconds. Triggers arriving within this time since the previous trigger will be ignored. Example: You may want to limit printouts to once every 10 seconds. By setting the Min Interval to 10000 the printouts would be limited to once every 10 seconds even though the printouts were requested at a much faster rate. |
| Gross Text | Enter text to replace the <GN> token with when the device is in gross mode. |
| Net Text | Enter text to replace the <GN> token with when the device is in net mode. |
| Print On Error | Whether to trigger an output when any input device fails to deliver new data within the timeout period.
Example: Data arrives every 5 minutes which is used as input 1 (<V1>). This same data tag is used to trigger a printout. Normally if the data fails to arrive the printout would not get triggered. By setting this property a printout would be triggered when the data failed to arrive (Within the timeout period for that input) and the values would show ----- instead of the numeric value when <V1> is decoded. This would indicate to the user that there is a problem. |
| Log Number | Enter a log number that is used when the <LOG> token is decoded. Each time an output is triggered this log number is incremented. This number will wrap to zero once it reaches the maximum value displayable due to the Log Digits. |

This parameter is Non Volatile and is stored in internal flash memory each time the <LOG> token is evaluated in a printout. This takes time and reduces the finite life of the flash memory so it is recommended that printouts containing the <LOG> token are not triggered at a rate faster than every 30 seconds.

Log Digits

Set the number of digits to display when the <LOG> token is decoded.
Example: If this is set to 2 then the log number will count up to 99 before resetting.

Line Delay Char

This is not alterable and is the character used by the thermal printer to denote the end of a line. You will see the token <0A> in the Output Design page when you press the enter key at the end of a line.

Line Delay

This is not alterable but shows the delay in milliseconds required at the end of each printed line.

Output Scaling

T24 Toolkit
Output Scaling

At Low Input Value of Display Should Read

At High Input Value of Display Should Read

To configure custom display scaling just enter a low and high pair of values indicating what you would like displayed for a given input value. (NOTE: This will be applied to all inputs and totals.)

To remove any custom scaling [Click Here](#)

Back

Help
This page allows you to scale the output data.

Connected to T24-PR1 of ID FFC688 on channel 1 App: 1.0.82 | Drv COM: 1.1 | Drv DLL: 2.0

This page allows effective conversion between units. i.e. Although all devices supplying data are configured in Kg you can get a printed output in Lbs.

Items you can change:

Custom Display Scaling

This can be used to change the displayed value to a different unit or to otherwise scale it. You simply enter the original and required values at a low and high point.

Example: If a T24-SA was supplying data in Kgs and you wanted to show tonnes. You would keep both the low points at zero. Enter **At High Input Value** of 1000 and **Display Should Read** Value of 1.

NOTE: This affects all inputs and sums (both gross and net). All tokens will effectively be decoded using the new scale factor.

Output Design

This is where you define the actual printed output based on free text and tokens. Tokens are special codes contained within angled brackets <token> which have special meanings and are converted to actual values once an output is triggered. See list of tokens at the bottom of this section.

Items you can change:

End Of Line Token

This is not alterable. When you press the Enter key on the keyboard we need to know which token to include in the design area. This is fixed to match the End Of Line Character required by the printer hardware.

Design Area

This is where you create your output using a mixture of free text and tokens. See the example in the screenshot above. To enter a token you can type it in or double click the token list on the right of the page (a single click will display the description of the token).

NOTE: by default the printer will print each line readable from the front of the printer. As each line is decoded from your designed lines the effect is that the lines appear on the printout in reverse order. You can compensate for this either by designing your lines in reverse order or including the following tokens at the top of your lines <1B><63><00>

Available Tokens

Token	Function	Example
<V1> ... <V8>	Substitutes token with the last value received from the input. This will already have system zero subtracted (If a DoSysZero command has been issued.) and tare subtracted. (If a DoTare command has been issued or the switch input has executed a tare.)	1.2345

<GV1> ... <GV8>	Substitutes token with the last value received from the input. This will already have system zero subtracted (If a DoSysZero command has been issued.) but no tare subtracted. i.e. it will always contain the Gross value of the specified input.	1.2345
<RV1> ... <RV8>	Substitutes token with the last value received from the input. This will NOT have system zero or tare values subtracted.	1.2345
<TV>	Substitutes token with the value carried in the Data Provider packet that has triggered the 'Print'. Useful if you use the F1 button on a T24-HA handheld device to trigger a printout as this will contain either the Gross value or the displayed value as configured by the handheld.	1.2345
<LOG>	Substitutes token with the log value. Each time a 'Print' occurs the log number will be incremented.	0003
<G>	Substitutes token with the Gross sum of all active inputs. System zero values will have been extracted.	1.2345
<N>	Substitutes token with the Net sum of all active inputs. System zeros will have been subtracted and also if a Tare has been issued then the tare value will be extracted.	1.2345
<EZ>	Substitutes token with the External System Zero.	1.2345
<GN>	Substitutes token with the GrossText or NetText parameter contents depending on the NetMode.	Gross
<xx>	Substitutes token with the ASCII character whose ASCII value is xx where xx is a two digit hexadecimal value. i.e. <0D>	ÆÖ-ü

Below are listed some useful hex codes.

Hex Value Token	Description
<0D>	Carriage Return
<0A>	Line Feed
<09>	Tab
<1B>	Escape
<1B><2D><01>	Start Underline
<1B><2D><00>	End Underline
<1B><69><01>	Start Reverse Printing
<1B><69><00>	End Reverse Printing
<1B><57><02>	Start Large Character Printing
<1B><57><01>	End Large Character Printing
<1B><63><01>	Print in reverse order (This is the default mode.)
<1B><63><00>	Print as designed (Should be placed at the top of the design)

Example

To print the value from input 1 in reverse:

Current Value: **123.456** Kg

Use

Current Value: <1B><69><01><V1><1B><69><00> Kg

Zero Settings



This page allows you to set a system zero.

Items you can change:

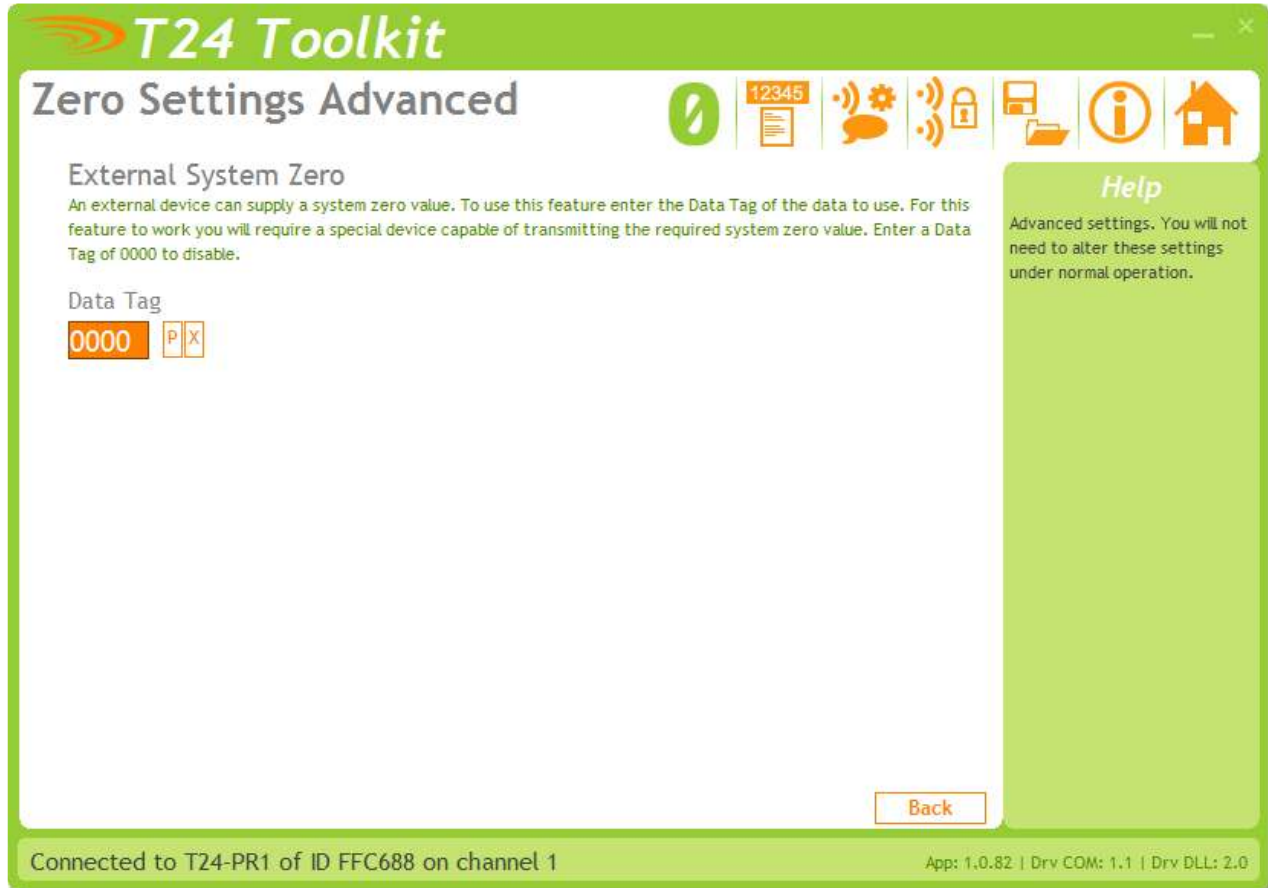
Perform System Zero

Clicking this will store the current values on all inputs and subtract the value from all subsequent outputs thus rendering the current input as zero.
Example: A 4 input weigh platform will have calibrated acquisition modules but when the actual platform structure is in place each module has a weight value thus the gross value is 50Kg.
By performing a system zero (with all inputs operational) this is zeroed away so next time the T24-PR1 is powered on the same input will yield a zero result.

Remove System Zero

Clicking this will remove all system zeros and restore all outputs normal.

Zero Settings Advanced



This advanced section allows the use of a specially configured external module to supply the system zero value for the handheld to use.

Example:

The same T24-PR1 is used with a truck that picks up different trailers and is required to display the sum of 4 strain gauges connected to each trailer (Using T24-SAs).

Because each trailer will have a different system zero requirement we would add a further device to each trailer set to transmit the system zero value. It is the Data Tag that is entered here.

Note: On all trailers the acquisition module sets share the same Data Tags.

Items you can change:

Data Tag Enter the **Data Tag** of the message to use for the external system zero.

ID Contains the ID of the device used to supply the external system zero. This is only necessary to provide a visible record of the remote device and is shown to keep compatibility with the **Mode and Communications** page.
You do not need to enter anything here although it will be filled in automatically if you perform a pair to retrieve data.

P Click this to give 5 seconds to perform pairing to automatically provide the Data Tag and ID from a specific device. Usually pairing is activated by removing and replacing the power supply.

X Click this to reset the Data Tag and ID to zero (disabling the external system zero function).

Configuration Examples

Print Gross Sum of 2 Devices to Printer

We need to print the gross sum of 2 devices to a printer with each time the switch input is activated on the T24-PR1.

NOTE: The external button/switch option will be made available on future releases of the T24-PR1

We need to display the value of each input as well as the gross sum.

We do not want to print more often than once every 30 seconds even if the switch is pressed.

We want the printed output to look like:

```
Mantracourt Electronics Ltd
Weigh Station #1

Input 1: xx.xxxx Kg
Input 2: xx.xxxx Kg

-----
Sum:   xx.xxxx Kg

For assistance call
0871 345672
```

Parameter settings:

```
Line1=<1B><63><00><0A>Mantracourt Electronics Ltd<0A>
Line2=Weigh Station #1<0A>
Line3=<0A>
Line4=Input 1: <V1> Kg<0A>
Line5=Input 2: <V2> Kg<0A>
Line6=-----<0A>
Line7=Sum:      <G> Kg<0A>
Line8=<0A>
Line9=For assistance call<0A>
Line10=0871 345672<0A>
Line11= <0A>
Line12= <0A>
Line13= <0A>
V1Format=00.0000
V2Format=00.0000
SumFormat=00.0000
ValueDataTag1=C675
ValueDataTag2=FF34
PrintTrigger=0000
MinInterval=10000
SwitchMode=0
```

Customer Ticket from Handheld Device

We have a handheld device T24-HA already configured to sum data from 4 devices. We want the F1 button on the handheld to trigger a printout to a serial printer connected to the T24-PR1.

We only want to print the gross sum that the handheld passes us. The handheld is configured to send the Gross value as Data Tag ABCD when the F1 button is pressed.

We do not want to print more often than once every 5 seconds even if the handheld tries to do so.

We also want two tickets printed each time it is triggered.

A ticket number (Log Number) will be printed on each ticket and will be incremented after printing each ticket pair.

We want the printed output to look like:

```
Mantracourt Electronics Ltd  
Ticket No: 0007  
Weighment: 12.3456 Kg
```

```
Mantracourt Electronics Ltd  
Ticket No: 0007  
Weighment: 12.3456 Kg
```

Parameter settings:

```
Line1=<1B><63><00>Mantracourt Electronics Ltd<0A>  
Line2=Ticket No: <LOG><0A>  
Line3=Weighment: <TV> Kg<0A>  
Line4=<0A>  
Line5=<0A>  
SumFormat=00.0000  
LogDigits=4  
PrintTrigger=ABCD  
MinInterval=5000  
Duplicate=1 (Yes)
```

Printer Operation and Maintenance

Paper Roll Fitting and Replacement

1 To open the printer door press the button marked with the arrow in fully.



2 The door should open slightly. (This may need help opening with a finger nail.)



3 Now the door can be fully opened.



4 Once the roll is fitted, close the door ensuring that the paper exits through the small gap at the top of the door and is not skewed.



Note how the paper roll is fitted inside the printer. If the roll is fitted upside down the printer will not print correctly.

Buttons and Indicators

There are two LED indicators that also function as buttons. These are marked SEL (Select) and LF (Linefeed). The red LED marked LF indicates when the printer has power applied.

The green LED marked SEL indicates when the printer is online.

For the printer to be able to print the printer must be online. This is indicated by the green LED being lit.

SEL 

LF 

To manually feed the paper the printer must be taken offline. Press the LED/Button marked SEL and the green LED will go out. Now you can press the LED/Button marked LF to feed the paper one line at a time.

SEL 

LF 

Remember to press the SEL button again to put the printer back online to enable it to print again.

Specifications

General Radio

	Min	Typical	Max	Units
License		License Exempt		
Modulation method		MS (QPSK)		
Radio type		Transceiver (2 way)		
Data rate		250		K bits/sec
Radio Frequency	2.4000		2.4835	GHz
Power		1		mw
Range RAD24i (Integrated antenna)			120 (400)	Metres (feet) *
Range RAD24e (External antenna)			200 (650)	Metres (feet) *
Channels (DSSS)		16		

* Maximum range achieved in open field site with T24-SA at a height of 3 metres (9.8425 feet) above ground and T24-PR1 held at chest height pointing towards the T24-SA.

T24-PR1

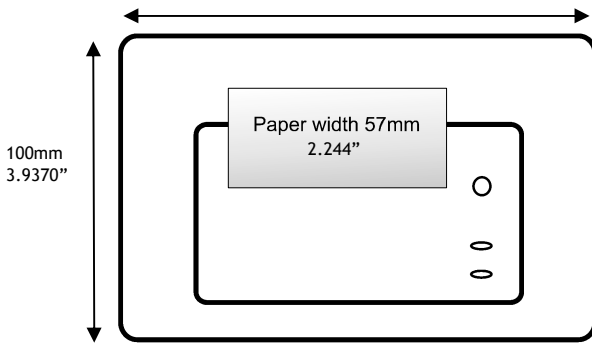
Parameter	Minimum	Typical	Maximum	Units	Notes
External Supply voltage Range	9	12	36	Volts	
Idle Operational Current	-	37	-	mA	
Max Operational Current Continuous	-	3		A	
Operating Temperature Range	5	-	50	Deg C	
Storage Temperature Range	-20	-	60	Deg C	
Reverse polarity Protection	-	-	-36	Volts	Maximum Supply level

Printer

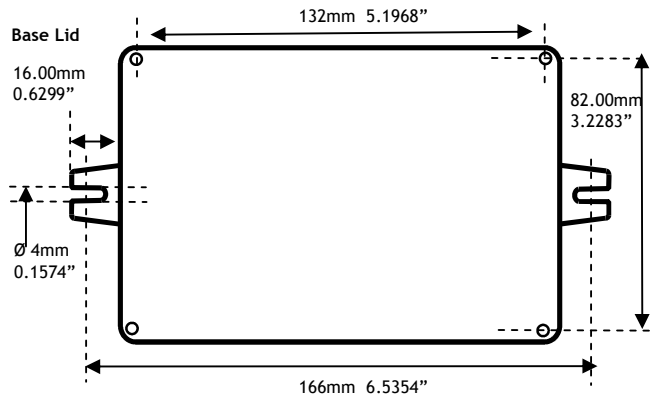
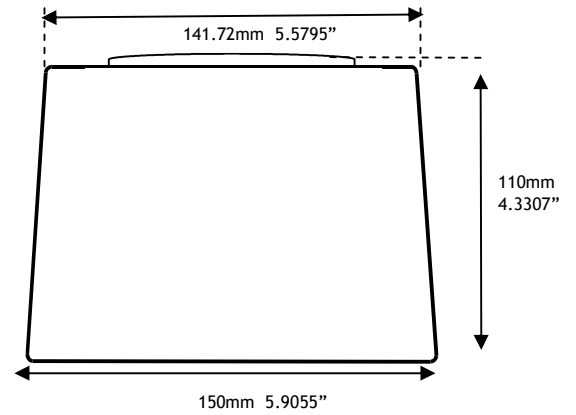
Parameter	Specification
Printing Method	Direct thermal line printing
Paper Width	57mm (2.244")
Paper Diameter	35mm (1.377")
Print Width	48mm (1.889")
Resolution	8 dots per mm (384 dots per line)
Print Head Life	6X10 ⁶ character lines
Print Speed	30mm/sec (25% utilization)
Character Size	6x8dots , 8x16dots,or12x24dots

Mechanical Dimensions

View from Top



View from Side



Installation

Overview

Radio performance at microwave wavelengths is very dependent upon the operating environment; any structure within the operating region of the radios will give rise to three effects:

Obscuration. Obscuration will result in reduced range and occurs when an obstruction masks the line-of-sight between radios.

Aberrations to the horizontal and vertical space patterns. Distortion of these patterns may occur if structures or objects are placed in the near or intermediate field of the antenna. The effect will be to distort the coverage patterns, adversely affecting range and link quality.

Reflection. Any object placed in line-of-sight of the transmit antenna will result in signals arriving at the receiver by an indirect path. Degradation of performance due to reflection (multipath effects) appears as reduced range or poor link quality.

Any of the above will cause poor RSSI figures, an increase in the packet loss rate and in extreme cases complete loss of signal. Fortunately, if consideration is given to these effects at the integration stage then a good quality link will be obtained.

Guidelines for product design:

When selecting materials for product enclosures, preference should be given to fibreglass, light coloured ABS or Polypropylene; at the wavelength of 2.4GHz radio other materials will adversely affect the signal by attenuation, refraction or change in polarisation.

If the application demands that the radio is fitted inside a metal enclosure then ensure that the specified clearances are maintained around the antenna and design in a fibreglass RF window at least as large as the clearance dimensions but ideally as large as possible.

RAD24i radios fitted inside a product should be oriented so that the chip antenna will be vertical when the product is in its normal operating position.

Guidelines for installation:

When planning installations ensure that line-of-sight between nodes is maintained and that objects or structures are kept at least one metre away from antennae wherever possible.

To avoid poor link quality between a RAD24i radio and a handheld device ensure that the RAD24i is mounted so that the chip antenna is vertical. Improvement may also be obtained by altering the height above ground of the RAD24i; a small increase or reduction in antenna elevation will often improve reception.

Range underwater is only a decimetre or so depending on packet rate. Best performance underwater is obtained by using low packet rates and immersing water-proofed antennae rather than water-tight enclosures containing the antennae.

Approvals

CE



Complies with EMC directive. 2004/108/EC

The Radio Equipment and Telecommunications Terminal Equipment (R&TTE) Directive, 1999/5/EC,

European Community, Switzerland, Norway, Iceland, and Liechtenstein

- English: This equipment is in compliance with the essential requirements and other relevant provisions of Directive 1999/5/EC.
- Deutsch: Dieses Gerät entspricht den grundlegenden Anforderungen und den weiteren entsprechenden Vorgaben der Richtlinie 1999/5/EU.
- Dansk: Dette udstyr er i overensstemmelse med de væsentlige krav og andre relevante bestemmelser i Direktiv 1999/5/EF.
- Español: Este equipo cumple con los requisitos esenciales así como con otras disposiciones de la Directiva 1999/5/EC.
- Français: Cet appareil est conforme aux exigences essentielles et aux autres dispositions pertinentes de la Directive 1999/5/EC.
- Íslenska: Þessi búnaður samrýmist lögboðnum kröfum og öðrum ákvæðum tilskipunar 1999/5/ESB.
- Italiano: Questo apparato é conforme ai requisiti essenziali ed agli altri principi sanciti dalla Direttiva 1999/5/EC.
- Nederlands: Deze apparatuur voldoet aan de belangrijkste eisen en andere voorzieningen van richtlijn 1999/5/EC.
- Norsk: Dette utstyret er i samsvar med de grunnleggende krav og andre relevante bestemmelser i EU-direktiv 1999/5/EC.
- Português: Este equipamento satisfaz os requisitos essenciais e outras provisões da Directiva 1999/5/EC.
- Suomalainen: Tämä laite täyttää direktiivin 1999/5/EY oleelliset vaatimukset ja on siinä asetettujen muidenkin ehtojen mukainen.
- Svenska: Denna utrustning är i överensstämmelse med de väsentliga kraven och andra relevanta bestämmelser i Direktiv 1999/5/EC.

This equipment is in compliance with the essential requirements and other relevant provisions of Directive 1999/5/EC.

FCC



Family: RAD24

Models: i and e for internal and external antenna variants. For antenna T24-ANTA and T24-ANTB

FCC ID:VHARAD24

This device complies with Part 15c of the FCC Rules. Operation is subject to the following two conditions: (1) this device may not cause harmful interference, and (2) this device must accept any interference received, including interference that may cause undesired operation.

CAUTION: If the device is changed or modified without permission from Mantracourt Electronics Ltd, the user may void his or her authority to operate the equipment.

Industry Canada



Models: i and e for internal and external antenna variants. For antenna T24-ANTA and T24-ANTB
IC:7224A-RAD24

This apparatus complies with RSS-210 - Low-power Licence-exempt Radiocommunication Devices (All Frequency Bands): Category I Equipment RSS.

OEM / Reseller Marking and Documentation Requirements

FCC

The Original Equipment Manufacturer (OEM) must ensure that FCC labelling requirements are met. This includes a clearly visible label on the outside of the final product enclosure that displays the contents as shown:

Contains FCC ID:VHARAD24

This device complies with Part 15 of the FCC Rules. Operation is subject to the following two conditions:

- (1) this device may not cause harmful interference and
- (2) this device must accept any interference received, including interference that may cause undesired operation.

The acquisition modules have been tested with T24-ANTA and T24-ANTB. When integrated in OEM products, fixed antennas require installation preventing end-users from replacing them with non-approved antennas. Antennas other than T24-ANTA and T24-ANTB must be tested to comply with FCC Section 15.203 (unique antenna connectors) and Section 15.247 (emissions).

Acquisition modules have been certified by the FCC for use with other products without any further certification (as per FCC section 2.1091). Changes or modifications not expressly approved by Mantracourt could void the user's authority to operate the equipment.

In order to fulfil the certification requirements, the OEM must comply with FCC regulations:

1. The system integrator must ensure that the text on the external label provided with this device is placed on the outside of the final product.
2. The acquisition modules with external antennas may be used only with Approved Antennas that have been tested by mantracourt.

IC

Labelling requirements for Industry Canada are similar to those of the FCC. A clearly visible label on the outside of the final product enclosure must display the following text:

Contains Model RAD24 Radio (2.4 GHz), IC:7224A-RAD24

Integrator is responsible for its product to comply with RSS-210 - Low-power Licence-exempt Radiocommunication Devices (All Frequency Bands): Category I Equipment RSS.

CE

The T24 series has been certified for several European countries.

If the acquisition module is incorporated into a product, the manufacturer must ensure compliance of the final product to the European harmonized EMC and low-voltage/safety standards. A Declaration of Conformity must be issued for each of these standards and kept on file as described in Annex II of the R&TTE Directive. Furthermore, the manufacturer must maintain a copy of the T24 device user manual documentation and ensure the final product does not exceed the specified power ratings, antenna specifications, and/or installation requirements as specified in the user manual. If any of these specifications are exceeded in the final product, a submission must be made to a notified body for compliance testing to all required standards.

OEM Labelling Requirements

The 'CE' marking must be affixed to a visible location on the OEM product.



The CE mark shall consist of the initials “CE” taking the following form:

- If the CE marking is reduced or enlarged, the proportions given in the above graduated drawing must be respected.
- The CE marking must have a height of at least 5mm except where this is not possible on account of the nature of the apparatus.
- The CE marking must be affixed visibly, legibly, and indelibly.

Declaration of Conformity

We, Mantracourt Electronics Limited
The Drive
Farringdon
Exeter
Devon EX5 2JB

declare under our sole responsibility that our products in the **T24 Radio Telemetry Product Range** to which this declaration relates are in conformity with the appropriate standard EN 300 328 following the provisions of the Radio and Telecommunications Terminal Equipment Directive **1999/5/EC**, FCC CFR Title 47 part 15c BS EN 61000-4-2 and BS EN 61000-4-3 following the provisions of the EMC Directive **2004/108/EC** and Low Voltage Directive **2006/95/EC**.

December 2007



Brett James
Development Manager
Mantracourt Electronics Limited.

FCC ID:VHARAD24



Worldwide Regional Approvals

Region	Product Conforms To
Europe	CE
USA	FCC
Canada	IC
Australia	To Be Determined
China	To Be Determined
Japan	To Be Determined

Important Note

Mantracourt does not list the entire set of standards that must be met for each country. Mantracourt customers assume full responsibility for learning and meeting the required guidelines for each country in their distribution market. For more information relating to European compliance of an OEM product incorporating the T24 range of modules, contact Mantracourt, or refer to the following web site: www.ero.dk

Warranty

All Telemetry products from Mantracourt Electronics Ltd., ('Mantracourt') are warranted against defective material and workmanship for a period of (1) one year from the date of dispatch.

If the 'Mantracourt' product you purchase appears to have a defect in material or workmanship or fails during normal use within the period, please contact your Distributor, who will assist you in resolving the problem. If it is necessary to return the product to 'Mantracourt' please include a note stating name, company, address, phone number and a detailed description of the problem. Also, please indicate if it is a warranty repair.

The sender is responsible for shipping charges, freight insurance and proper packaging to prevent breakage in transit.

'Mantracourt' warranty does not apply to defects resulting from action of the buyer such as mishandling, improper interfacing, operation outside of design limits, improper repair or unauthorised modification.

No other warranties are expressed or implied. 'Mantracourt' specifically disclaims any implied warranties of merchantability or fitness for a specific purpose. The remedies outlined above are the buyer's only remedies. 'Mantracourt' will not be liable for direct, indirect, special, incidental or consequential damages whether based on the contract, tort or other legal theory.

Any corrective maintenance required after the warranty period should be performed by 'Mantracourt' approved personnel only.



CE

In the interests of continued product development, Mantracourt Electronics Limited reserves the right to alter product specifications without prior notice.

DESIGNED & MANUFACTURED IN THE UK

Code No. 517-914

Issue 1.1

31.08.10