

In-Line Converter Housing for Load Cells

Features

- Very small size - 56 x 28mm excluding Glands
- Small Rugged Construction
- EMC Protected



Introduction

This new stainless steel in-line enclosure (ILE) will enable users to quickly convert any standard load cell output to 0-10v, 4-20mA or a RS485 digital output with an economic EMC protected IP67 enclosure.

The enclosure enables DCells or ICA's to be mounted on a spacer and screw inside the enclosure (all parts are provided), creating an easy method of wiring through the enclosure from the attached sensor to the controller.

The small size (56mm long and 28mm diameter excluding cable glands) and the rugged construction mean that this supporting product can provide a easy solution to those previously difficult installations.

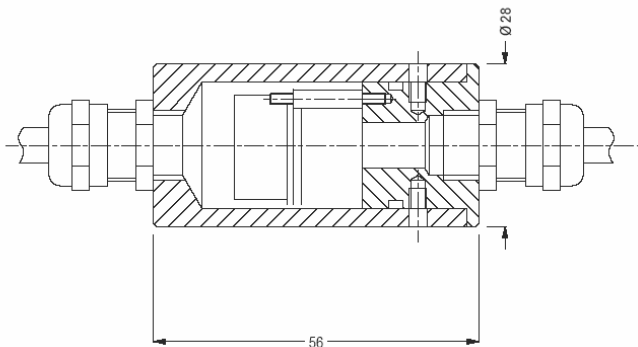
Product Order Codes

ILE In-Line Converter Housing for Load Cells

Physical

Dimensions 56 x 28mm Excluding Glands

Mechanical Dimensions



C In the interest of continued product development, Mantracourt Electronics Limited reserves the right to alter product specifications without prior notice.